



# L.T.F. Low Voltage Electronic Power Supply

75W 12V AC

TA75WA12 Series and TU75WA12 Series



Efficiency	higher than 85%
Power Factor	>98%
Case TC*	90°C Max
Protection	Input/ Output
Storage	-30°C/ +90°C
Humidity	95% RH max
IP Rating	IP 60
Standard Dimming	ELV Dimmable
Special Dimming	Dimming Loop (DL)



## FEATURES

- No load technology, works with both Halogen & LED AC loads \*\*
- Isolated output power per NEC and UL safety requirements
- UL recognized/listed Class 2 power supply, meet UL 2108 requirements
- Auto-reset; Short circuit, Overload and Thermal protection
- Soft start
- Dimmable
- Low profile, small compact design to fit in most enclosures

## ELECTRICAL SPECIFICATIONS

120V					
Model #	Input Voltage	Input Current	Output Voltage	Weight	Load Type
TA75WA12	120V AC 50/60Hz	0.63 A	12V AC	100g	Incandescent & Halogen Bulbs
TA75WA12LED	120V AC 50/60Hz	0.63 A	12V AC	100g	AC LED Bulbs, Incandescent & Halogen Bulbs
TA75WA12DL	120V AC 50/60Hz	0.63 A	12V AC	170g	Incandescent & Halogen Bulbs
TA75WA12LEDDL	120V AC 50/60Hz	0.63 A	12V AC	170g	AC LED Bulbs, Incandescent & Halogen Bulbs

120V Remote					
Model #	Input Voltage	Input Current	Output Voltage	Weight	Load Type
TA75WA12RE	120V AC 50/60Hz	0.63 A	12V AC	422g	Incandescent & Halogen Bulbs
TA75WA12REO	120V AC 50/60Hz	0.63 A	12V AC	562g	Incandescent & Halogen Bulbs
TA75WA12LEDRE	120V AC 50/60Hz	0.63 A	12V AC	422g	AC LED Bulbs, Incandescent & Halogen Bulbs
TA75WA12LEDREO	120V AC 50/60Hz	0.63 A	12V AC	562g	AC LED Bulbs, Incandescent & Halogen Bulbs

\* Under confirmed thermal condition

L.T.F. L.L.C. PHONE: (847) 498-5832 FAX: (773) 337-5628 EMAIL: [sales@ltftechnology.com](mailto:sales@ltftechnology.com)  
Company's Address: 11966 Oak Creek Pkwy Unit H, Huntley IL 60142 U.S.A. [www.ltftechnology.com](http://www.ltftechnology.com)

© L.T.F., L.L.C. All rights reserved. L.T.F. reserves the right to change specification for product improvements without notification



120V Remote					
Model #	Input Voltage	Input Current	Output Voltage	Weight	Load Type
TA75WA12DLRE	120V AC 50/60Hz	0.63 A	12V AC	492g	Incandescent & Halogen Bulbs
TA75WA12DLREO	120V AC 50/60Hz	0.63 A	12V AC	632g	Incandescent & Halogen Bulbs
TA75WA12LEDDLRE	120V AC 50/60Hz	0.63 A	12V AC	492g	AC LED Bulbs, Incandescent & Halogen Bulbs
TA75WA12LEDDLREO	120V AC 50/60Hz	0.63 A	12V AC	632g	AC LED Bulbs, Incandescent & Halogen Bulbs

220-240V					
Model #	Input Voltage	Input Current	Output Voltage	Weight	Load Type
TU75WA12	220-240V AC 50/60Hz	0.34 A	12V AC	100g	Incandescent & Halogen Bulbs
TU75WA12LED	220-240V AC 50/60Hz	0.34 A	12V AC	100g	AC LED Bulbs, Incandescent & Halogen Bulbs
TU75WA12DL	220-240V AC 50/60Hz	0.34 A	12V AC	100g	Incandescent & Halogen Bulbs
TU75WA12LEDDL	220-240V AC 50/60Hz	0.34 A	12V AC	100g	AC LED Bulbs, Incandescent & Halogen Bulbs

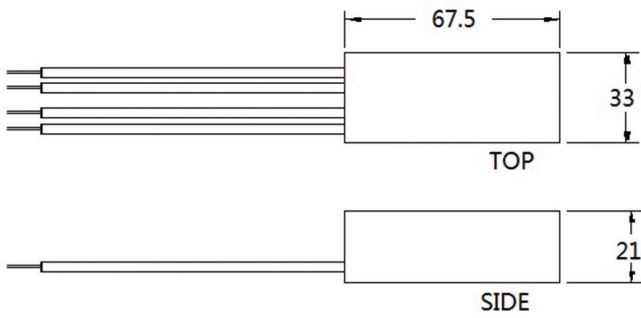
220-240V Remote					
Model #	Input Voltage	Input Current	Output Voltage	Weight	Load Type
TU75WA12RE	220-240V AC 50/60Hz	0.34 A	12V AC	422g	Incandescent & Halogen Bulbs
TU75WA12RE	220-240V AC 50/60Hz	0.34 A	12V AC	562g	Incandescent & Halogen Bulbs
TU75WA12LEDRE	220-240V AC 50/60Hz	0.34 A	12V AC	422g	AC LED Bulbs, Incandescent & Halogen Bulbs
TU75WA12LEDRE	220-240V AC 50/60Hz	0.34 A	12V AC	562g	AC LED Bulbs, Incandescent & Halogen Bulbs
TU75WA12DLRE	220-240V AC 50/60Hz	0.34 A	12V AC	422g	Incandescent & Halogen Bulbs
TU75WA12DLRE	220-240V AC 50/60Hz	0.34 A	12V AC	562g	Incandescent & Halogen Bulbs
TU75WA12LEDDLRE	220-240V AC 50/60Hz	0.34 A	12V AC	422g	AC LED Bulbs, Incandescent & Halogen Bulbs
TU75WA12LEDDLRE	220-240V AC 50/60Hz	0.34 A	12V AC	562g	AC LED Bulbs, Incandescent & Halogen Bulbs

MECHANICAL SPECS.

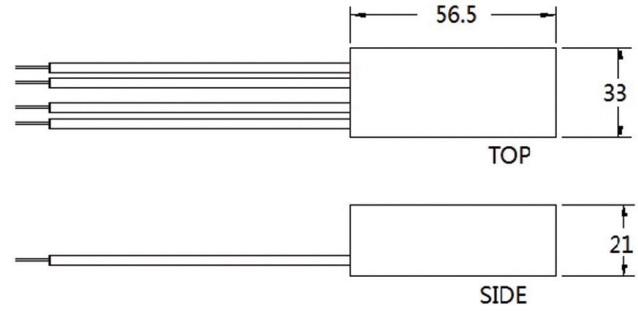
Available Form Factors	Dimensions
Standard "B4"	67.5X33X21mm
"B2"	56.5X33X21mm
"G2"	233.1x85.5x48.9mm
"G3"	280x103x56mm



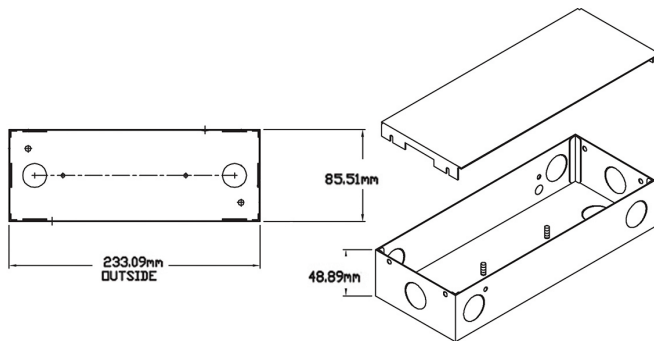
B4 - STANDARD



B2 - SPECIAL ORDER



G2 - LED REMOTE (RE) MODELS ONLY



G3 - LED REMOTE (REO) MODELS ONLY

