

### ELECTRONIC LOW VOLTAGE TRANSFORMER

<b>Input Voltage</b>	120VAC, 277VAC - 50-60Hz
<b>Output</b>	11.5 VAC
<b>Enclosure Material</b>	Aluminum
<b>Weight</b>	12.8 oz.
<b>Power Factor</b>	> 0.95
<b>Operating Frequency</b>	25KHz
<b>Total Harmonic Dstortion</b>	≤ 20%
<b>Input</b>	6", 18AWG stranded, 105 degree C stripped 3/8" tinned
<b>Output</b>	6", 18AWG stranded, 105 degree C stripped 3/8" tinned

### ENVIRONMENTAL SPECIFICATIONS:

<b>Maximum Case Temperature</b>	80°C
<b>Minimum Starting Temperature</b>	-30°C
<b>Sound Rating</b>	A+
<b>Operating Humidity</b>	95% relative humidity, non-condensating
<b>Environmental Protection</b>	Epoxy Sealed for moisture resistance and shock/vibration resistance

### PRODUCT FEATURES :

- High Reliability
- Moisture Resistant
- Emits no audible noise
- Low Harmonic Distortion
- High power factor
- Lightweight, compact design
- Small case size
- Works with most commercially available dimmers. Hardwire electronic dimmers are recommended for optimum performance.

### APPROVALS:

- Class P Type 1  
Outdoors



### ELECTRICAL FEATURES:

#### Soft Start Circuitry

All models of Hatch low-voltage transformers utilize a soft start circuitry to maximize lamp life. The soft start circuit ramps up the lamp filament voltage slowly when the lamp is cold.

NOTE: Instant Start on Hot Lamp Re-Strike

#### Electronic Short-Circuit Protection

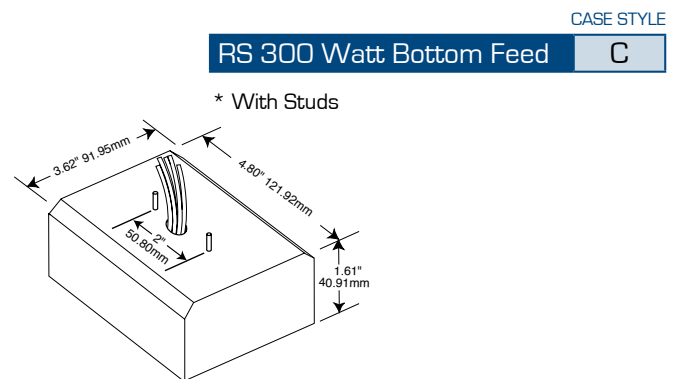
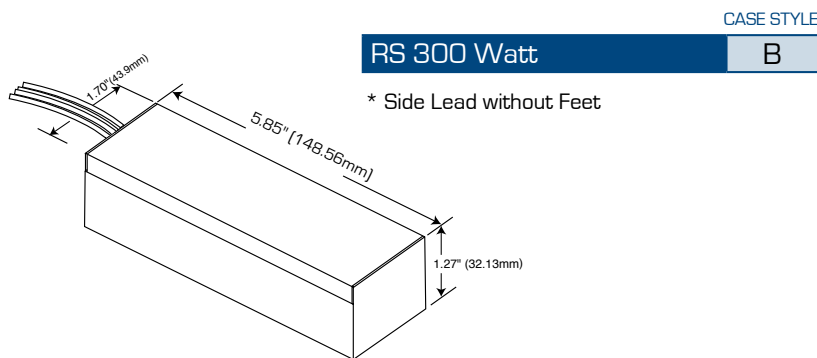
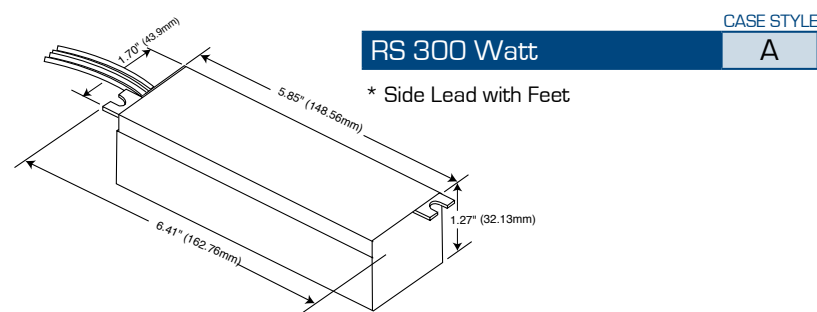
All hatch low-voltage transformers employ our (ESP) Electronic Short Circuit and overload Protection. The ESP sensing circuit will instantly shut down the output before any of the components are stressed if a short circuit or over load is detected. The transformer will automatically reset as soon as the fault is corrected.

### HARDWIRE ELECTRONIC

Max Watts	Min Watts	Hatch Part Number	Input Volts	Output Volts	Input Amps	Output Amps	Case Style	Safety Listing
300	50	RS12-300	120	11.5	2.5	26.1	A	UL/C-UL Recognized
		RS12-300N					B	
		RS12-300BF					C	
		RS12-300-277*	277	1.08	A			

\* NOTE: Must use a minimum of 75 watts when using dimmers. It is also important to confirm dimming controls compatibility with the manufacturer and your Hatch representative. 277 Volt dimming not recommended.

### DIMENSIONS:



### WIRING DIAGRAM:

