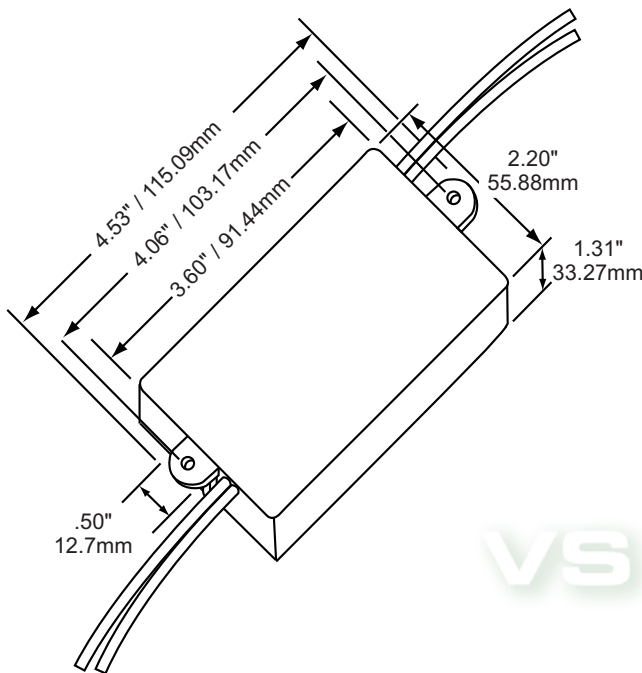
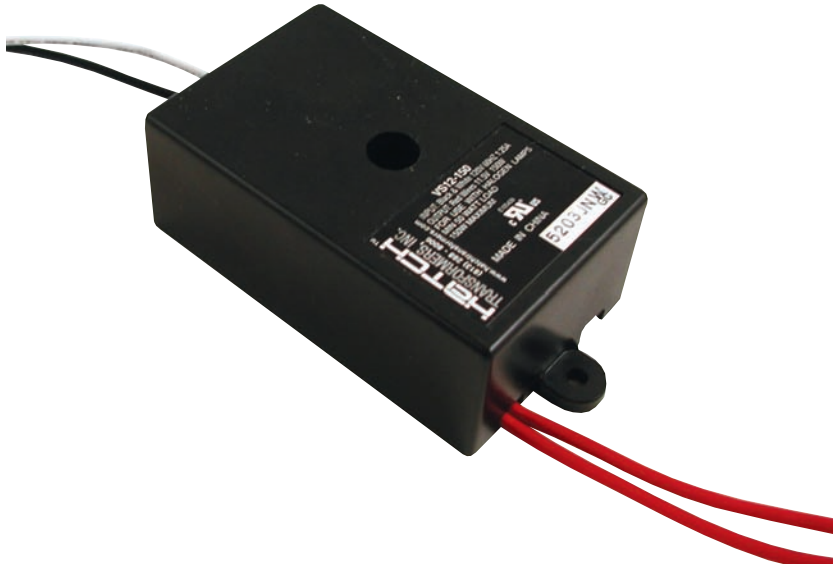




# 105 AND 150 WATT "V" SERIES HARDWIRE ELECTRONIC TRANSFORMER



VS

Hatch Lighting, Inc.  
7821 Woodland Center Boulevard • Tampa, FL 33614  
Ph: 813-288-8006 • Fax: 813-288-8105  
www.HatchLighting.com

## Electronic Low Voltage Transformer:

- High Reliability
- Moisture and Shock Resistant
- Emits No Audible Noise
- Low Harmonic Distortion
- High Power Factor
- Lightweight, Compact Design
- Works with most commercially available dimmers. Hardwire electronic dimmers are recommended for optimum performance

## Environmental Specifications

<b>Maximum Case Temperature</b>	80°C
<b>Sound Rating</b>	A+
<b>Operating Humidity</b>	95% relative humidity, non-condensing
<b>Environmental Protection</b>	Epoxy sealed for moisture resistance and shock vibration resistance

## Electrical/Mechanical Specifications

<b>Input</b> .....	120 V 50/60 Hz
<b>Enclosure Material</b> .....	UL Flame Retardant, High Temperature, Engineering Resin
<b>Color</b> .....	Black
<b>Weight</b> .....	.5 oz.
<b>Power Factor</b> .....	> 0.95
<b>Operating Frequency</b> .....	25 KHz
<b>Total Harmonic Distortion</b> .....	≤ 20%
<b>Safety Standard</b> .....	UL US
<b>Input Leads</b> .....	6", 18AWG stranded, 105 degree C stripped 3/8" tinned
<b>Output Leads</b> .....	6", 18AWG stranded, 105 degree C stripped 3/8" tinned

## Soft Start Circuitry

All models of Hatch low-voltage transformers utilize a soft start circuitry to maximize lamp life. The soft start circuit ramps up the lamp filament voltage slowly when the lamp is cold.

## Electronic Short-Circuit Protection

All Hatch low-voltage transformers employ our (ESP) Electronic Short Circuit and over load Protection. The ESP sensing circuit will instantly shut down the output before any of the components are stressed if a short circuit or over load is detected. The transformer will automatically reset as soon as the fault is corrected.



## VS 105/150 WATT

### HARDWIRE ELECTRONIC

Max Watts	Min Watts	Input Volts	Output Volts	Input Amps	Output Amps	Case Style	Hatch Item No.	Safety Listing
105	50	120	11.5	0.88	9.2	1	VS12-105J	UL / C-UL Recognized
			23.5	0.88	4.5	1	VS24-105J	
150	50	120	11.5	1.25	12.9	1	VS12-150J	
			20.0	1.25	5.5	1	VS21-150AF	
			23.5	1.25	6.4	1	VS24-150J	

\* Must use a minimum of 50 watts when using a dimmer.

# WIRING DIAGRAMS

